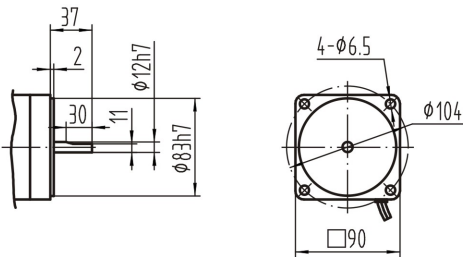
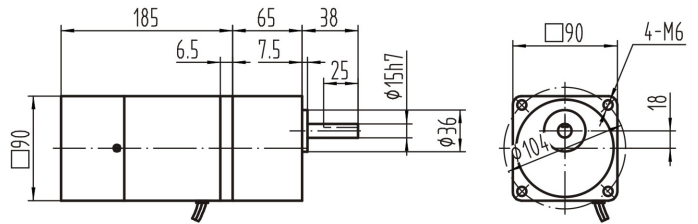


**外形尺寸图**  
**OUTLINE DIMENSION SHEET**

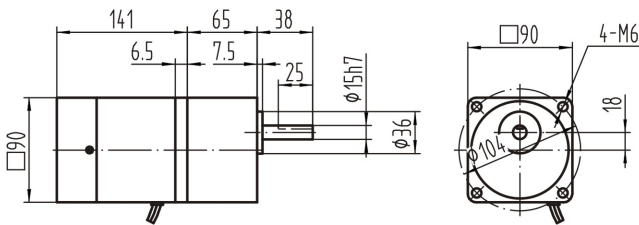
**圆轴电机 Motors**



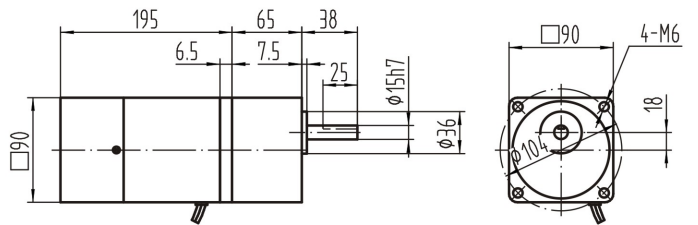
**定速电磁制动电机 Brake Motors**  
5IK90/120GU-□MF+5GU□KB



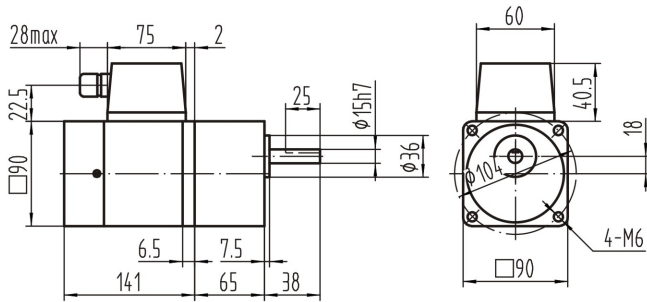
**定速(调速)电机 Speed Constant(Control) Motors**  
5IK90/120GU-□(R)F+5GU□K



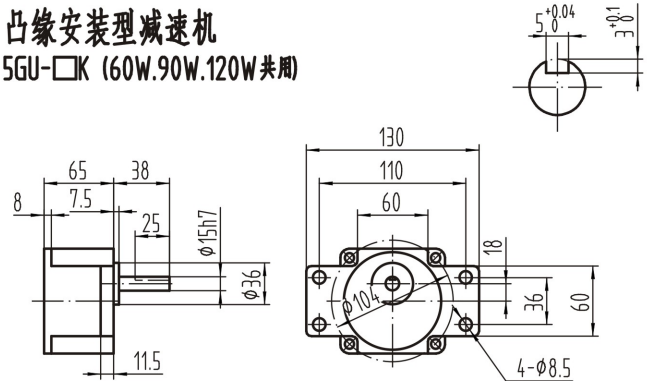
**调速电磁制动电机 Speed Control & brake Motors**  
5IK90/120GU-□MRF+5GU□KB



**带端子盒电机 Terminal Box Type Motors**  
5IK90/120GU-□TF+5GU□KB



**凸缘安装型减速机**  
5GU-□K (60W.90W.120W共用)



**90型脚架**

